



VAIS TECHNOLOGY

www.vaistech.com

Owner's Manual

USB Charging Port Add-On for GSR Modules

Part Number: UCC-001



UCC-001-MAN

 **WARNING:** Cancer and Reproductive Harm - www.P65Warnings.ca.gov.

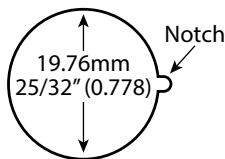
Warnings

- ⚠ Do not cut, modify or extend the USB Charging Port cable.
- ⚠ The USB Charging Port is rated for up to 2.4A.

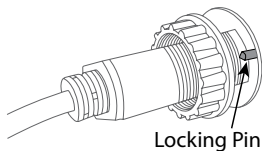
Installation

1. Select a suitable location for the USB Charging Port.
 - a. A location that is within 20" of the GSR Interface Adapter.
 - b. A location where there is a minimum of 2" of clearance behind the panel to accommodate the depth of the charging port.
 - c. A location where there is sufficient clearance so that the charging port will not interfere with any moving parts of the vehicle.

2. ⚠ In the location you have selected, drill a round hole that is 19.76mm / 25/32" (0.778) (+/- 0.01" / 0.3mm) in diameter. Use the template in the lower right corner of the next page as a guide.



3. Cut a small notch to accommodate the locking pin at 3 o'clock for a horizontal USB position.
4. Completely remove the nut from the charging port.
5. Install the charging port into the mounting hole and align the locking pin.

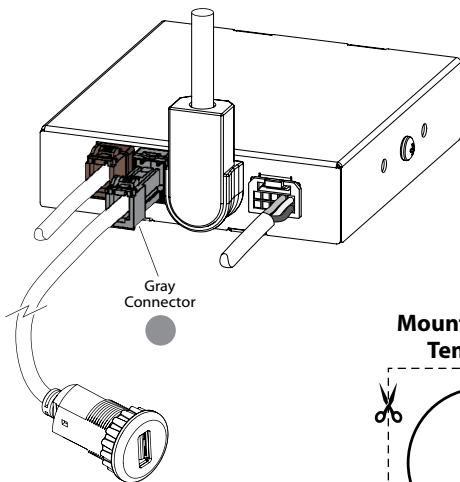


1. Slide the locking nut back onto the cable.

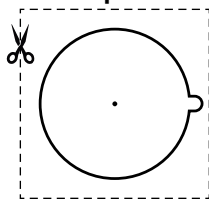


Caution: Carefully align the locking nut straight onto the threads to avoid cross threading. Check the alignment as you slowly turn the nut until you are certain it is threading on correctly.

2. Securely tighten the nut to sufficiently hold the charging port.
Do not over tighten.
3. Plug the other end of the charging port cable into the gray connector of the GSR Interface Adapter, as shown.



Mounting Hole Template





Warranty is available for download:

<https://www.vaistech.com/download/15244/>

To request a paper warranty copy please contact us:

VAIS Technology
Warranty Department
8811 American Way
Unit 125
Englewood, CO 80112
720-733-2348
sales@vaistech.com



UCC-001-MAN

VAIS Technology, 8811 American Way, Englewood, CO 80112
www.vaistech.com Phone: 720-733-2348 sales@vaistech.com